

PLUMBERS INSTALLATION INSTRUCTIONS

Important Information

* For warranty details refer to www.clark.com.au

Installation

- 1) Check in-wall depth (dimension 'A' in Fig.1) to ensure correct length cartridge (3) has been selected (see Table 1).
- 2) Check seats in recess tap bodies (1) are in good condition and free of foreign materials. Reseat if required.
Important : All pipework must be thoroughly flushed prior to installation, to remove all foreign matter.
- 3) To install ceramic disc cartridges (3), remove protective cap (4), locknut (5) and fibre washer from cartridge (3). Screw each cartridge (3) into tap body (1). Using a suitable spanner, tighten cartridge (3) until it comes to a firm stop. (DO NOT TIGHTEN CARTRIDGE USING SPINDLE). Fit fibre washer and then locknut (5) and tighten using a suitable spanner.
- 4) Ensure handle insert (11) is in position in handle (12). With cartridge spindles in the fully closed position, align handles (12) as shown in Fig (2) before pushing handle (12) fully onto spindle (6). For small adjustments to handle positions, cartridge (3) can be rotated **slightly** in an anti-clockwise direction until handles are aligned (Fig.2) before tightening locknut (5). Remove handles (12).
- 5) Screw wall flange (7) over each installed cartridge, and tighten fully by hand against wall/tile face, taking care not to damage the decorative finish.
- 6) Fit handle assembly as follows:-
 - i) Turn both spindles to the fully closed position.
 - ii) Place retaining nut (9) over spindle (6), with slot facing flange (7).
 - iii) Place retaining clip (10) into groove at bottom of spline in spindle (6).
 - iv) Ensure handle insert (11) is in position in handle (12). Fit handle (12) to spline of spindle, position handle as before then push firmly until it bottoms internally.
 - v) Screw retaining nut (9) into handle and tighten with spanner (8) provided.

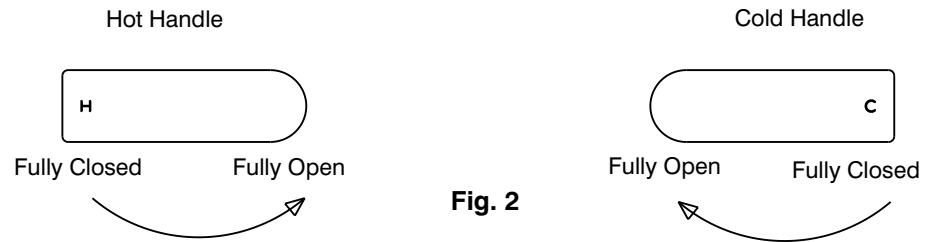


Fig. 2

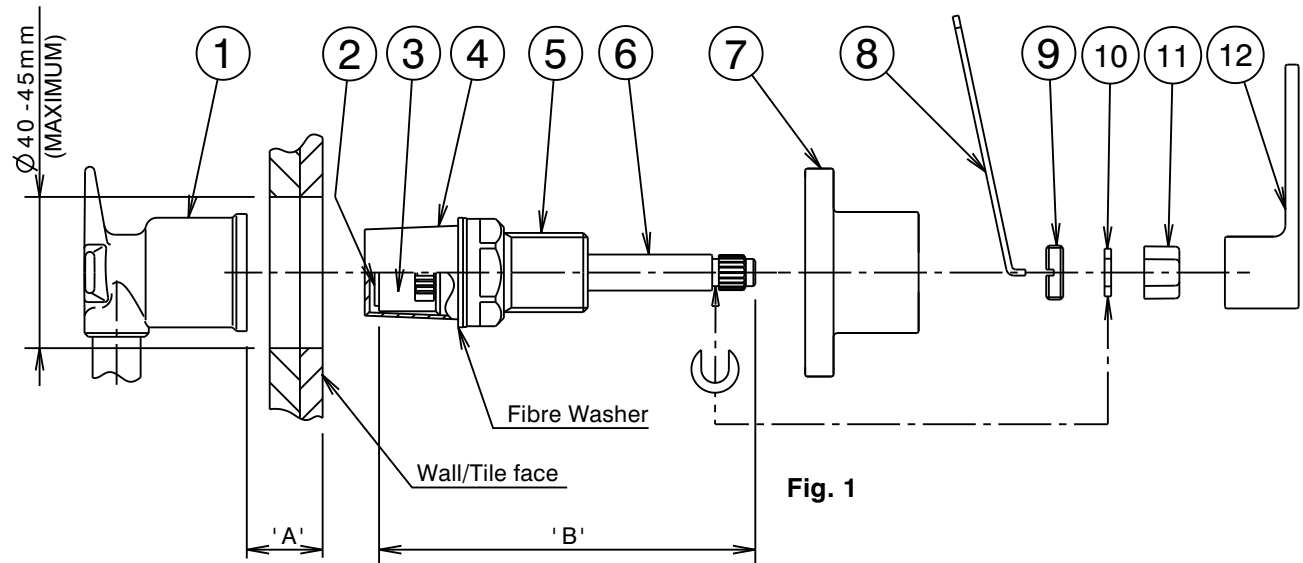


Fig. 1

Table 1

Dimension 'A'	Cartridge Ass'y	Dimension 'B'
0 - 13mm	Standard Length	99.5mm
13 - 26mm	13mm Extended	112.5mm

IMPORTANT	
<u>Pressure & Temperature Requirements.</u>	
<ul style="list-style-type: none"> • Hot and cold water inlet pressures should be equal. • Static inlet pressure range : 150 -1000 kPa • New Regulation :-500 kPa maximum static pressure at any outlet within a building. (Ref. AS/NZS 3500.1) • Maximum hot water temperature : 80°C. 	
<u>Installation Requirements.</u>	
<ul style="list-style-type: none"> • The installing plumber is responsible for waterproofing all penetrations for Taps in Shower areas at installation by a proprietary flange system or a sealant.(Ref AS3740) 	