

ROUND - WALL BASIN/BATH OUTLET

WATER EFFICIENT TAPWARE

PLUMBERS INSTALLATION INSTRUCTIONS

Important Information

- * For warranty details refer to www.clark.com.au
- * Not suitable for gravity feed systems.
- * Basin outlet is fitted with a flow regulated aerator insert. This low flow rate may not be suitable for connection to some Instantaneous Gas Water Heaters, some Tempering Valves, some Solar Water Heaters & some Thermostatic Mixing Valves. Check with the manufacturers of these products. For applications where flow regulation is not suitable (e.g. bath) a full flow aerator insert has been provided within the packaging. To convert the basin outlet to a bath outlet, refer to 'Removing Aerator Insert'
- * All pipework must be thoroughly flushed prior to installation, as foreign materials may block the flow regulating device and reduce the flow of water. Note: Aerator insert must be retightened to prevent removal by hand.

Installation

- 1) Check that threaded nipple (1) is the correct length, as shown. Cut to length if required ensuring end face is square. Apply thread tape to the thread.
Important : Care must be taken that thread tape cannot become dislodged and block the flow regulating device, causing a reduction in water flow.
- 2) Slide the cover plate (3) together with the 'O'Rings over the outlet (2) as shown. Carefully screw the outlet (2) onto the threaded nipple (1) until the threaded end is close to the wall/tile face and the aerator insert (4) is pointing down as shown, taking care not to damage the decorative finish. DO NOT OVERTIGHTEN. Push the cover plate (3) along the outlet (2) until it contacts the wall/tile face.

Removing Aerator Insert (Fig.1)

- 1) Aerator insert (4) can be removed with spanner (5) provided.
- 2) Deposits of lime can be removed by washing in a vinegar solution.
- 3) When replacing aerator insert (4), be careful that thread is engaged correctly and 'O'ring is not damaged as it enters the bore. Tighten securely (to prevent removal by hand) using spanner (5).

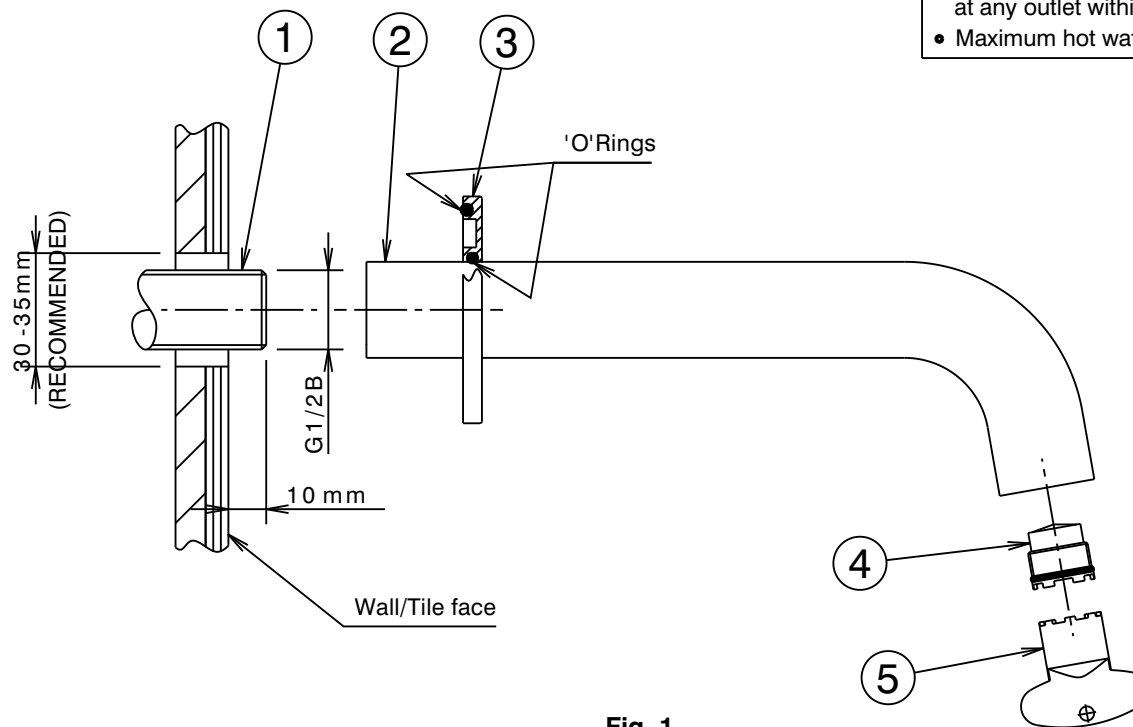


Fig. 1

IMPORTANT

Pressure & Temperature Requirements.

- Hot and cold water inlet pressures should be equal.
- Static inlet pressure range : 150 -1000 kPa
New Regulation :-500 kPa maximum static pressure at any outlet within a building. (Ref. AS/NZS 3500.1)
- Maximum hot water temperature : 80°C.