

GENERAL INFO

SOFTROL™ WATER SOFTENING APPLIANCE

Provides softened, purified water throughout your facility.

A WaterMark approved water softener to reduce scaling and spotting in your home. Insist on a certified system.

Hard water is water that contains dissolved minerals such as limestone, iron, sulphur, magnesium and calcium. If these minerals are not removed from your water, they will cause scaling, eventually blocking plumbing and shortening the life of appliances - particularly hot water units, dishwashers, washing machines, etc.

FEATURES & BENEFITS

- A WaterMark approved water softener to reduce scaling and spotting in your water system.
- Glassware is now clear and shiny with no scale, smear or spots.
- Protects against premature replacement of hot water systems and many other appliances and fixtures.
- Enjoy washing your car with a scale-free finish.
- It's easier to wash soap and shampoo out completely so your shower screen is easier to clean.
- Now ice cubes look clearer and more appealing.
- Can also remove traces of metals such as copper, iron and manganese.
- Sleek, modern design to complement your facility.
- Class-leading efficiency due to premium resins and optimised flow dynamics.



SOL30-E3

Volumetric E3-matic,
30 Lpm, 25mm connection



SOL40-E3

Volumetric E3-matic,
40 Lpm, 25mm connection



SOL30-E1

Automatic E1-matic,
30 Lpm, 25mm connection



SOL40-E1

Automatic E1-matic,
40 Lpm, 25mm connection



SOL30-SE

Semi-Automatic,
30 Lpm, 20mm connection



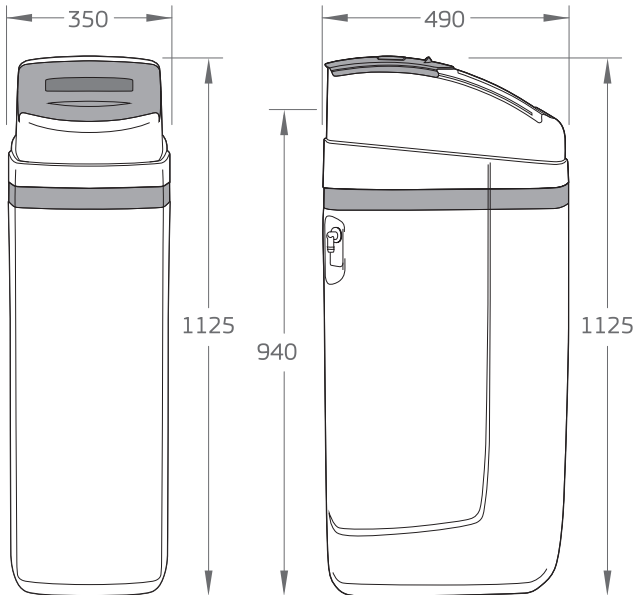
SOL40-SE

Semi-Automatic,
40 Lpm, 20mm connection

| Ordering Code: | SOL30-E3 | SOL40-E3 | SOL30-E1 | SOL40-E1 | SOL30-SE | SOL40-SE |
|-------------------------------------|--|--------------------------|---|--------------------------|----------------------------|----------------------------|
| Valve: | Volumetric E3-matic | Volumetric E3-matic | Automatic E1-matic | Automatic E1-matic | Semi-Automatic | Semi-Automatic |
| Service Flow Rate: | 30 Lpm | 40 Lpm | 30 Lpm | 40 Lpm | 30 Lpm | 40 Lpm |
| Maximum Flow Rate: | 70 Lpm | 100 Lpm | 70 Lpm | 100 Lpm | 70 Lpm | 100 Lpm |
| *Capacity: | 12,000 litres | 18,000 litres | 12,000 litres | 18,000 litres | 12,000 litres | 18,000 litres |
| Inlet / Outlet / Drain Connections: | 1" Male BSPT, 1/2" Drain | 1" Male BSPT, 1/2" Drain | 1" Male BSPT, 1/2" Drain | 1" Male BSPT, 1/2" Drain | 3/4" Male BSPT, 1/2" Drain | 3/4" Male BSPT, 1/2" Drain |
| Min/Max Operating Pressure: | 138 - 875 kPa | 138 - 875 kPa | 138 - 875 kPa | 138 - 875 kPa | 138 - 875 kPa | 138 - 875 kPa |
| Operating Temperature: | 4 - 45°C (40 - 113°F) | 4 - 45°C (40 - 113°F) | 4 - 45°C (40 - 113°F) | 4 - 45°C (40 - 113°F) | 4 - 45°C (40 - 113°F) | 4 - 45°C (40 - 113°F) |
| Power Supply: | 230V AC / 50 Hz | 230V AC / 50 Hz | 230V AC / 50 Hz | 230V AC / 50 Hz | not needed | not needed |
| Warranty: | 6 years [^] | 6 years [^] | 6 years [^] | 6 years [^] | 6 years [^] | 6 years [^] |
| Replacement Media Kits: | RMK-SOL30 | RMK-SOL40 | RMK-SOL30 | RMK-SOL40 | RMK-SOL30 | RMK-SOL40 |
| Optional Accessories and media: | WTV5090 - Micro switch for automation of external equipment. WTV5000 - Bypass assembly for testing, and maintenance. PTE30 - Hardness test kit | | WTV5050 - Blending valve for partial hardness removal. SS5000 - SoftenerSafe Media, 5 litres | | | |

Note: Chlorine (free chlorine) tolerance is 1ppm - high chlorine levels permanently damage the softening resin & is not covered under warranty. If chlorine exceeds this limit, we recommend a carbon pre-filter such as the WH2 or CFS Series. Please refer to Puretec for a specific recommendation. In any case, a carbon pre-filter is recommended to protect against chlorine spikes & prolong the resin life.

PRODUCT DIMENSIONS Measurements in Millimeters (mm)



SOL30 & SOL40 SERIES

ADDITIONAL INFORMATION

Capacities are based on a hardness of 100ppm. The flow rate while the filter backwashes, needs to be equal to the stated service flow to maintain proper backwash functionality, which is critical for optimum performance of filtration systems.



WaterMark

WMTS103:2016
Licence No. WM 74593
Australian Certification Services

Note:

1. No claims can be made based on the specifications and images in this document. The design, technology, colours, features and prices are subject to change.
 2. This document and all its contents are copyright protected. All rights are reserved, particularly alteration, translation and reproduction using electronic systems.
 3. ^Warranties in this document cover parts and labour for the first year, plus 5 years parts only. Subject to approval.
- Our Water Treatment Specialists can provide you with advice to suit your needs.