

TETRA 1160

STAINLESS STEEL SINK

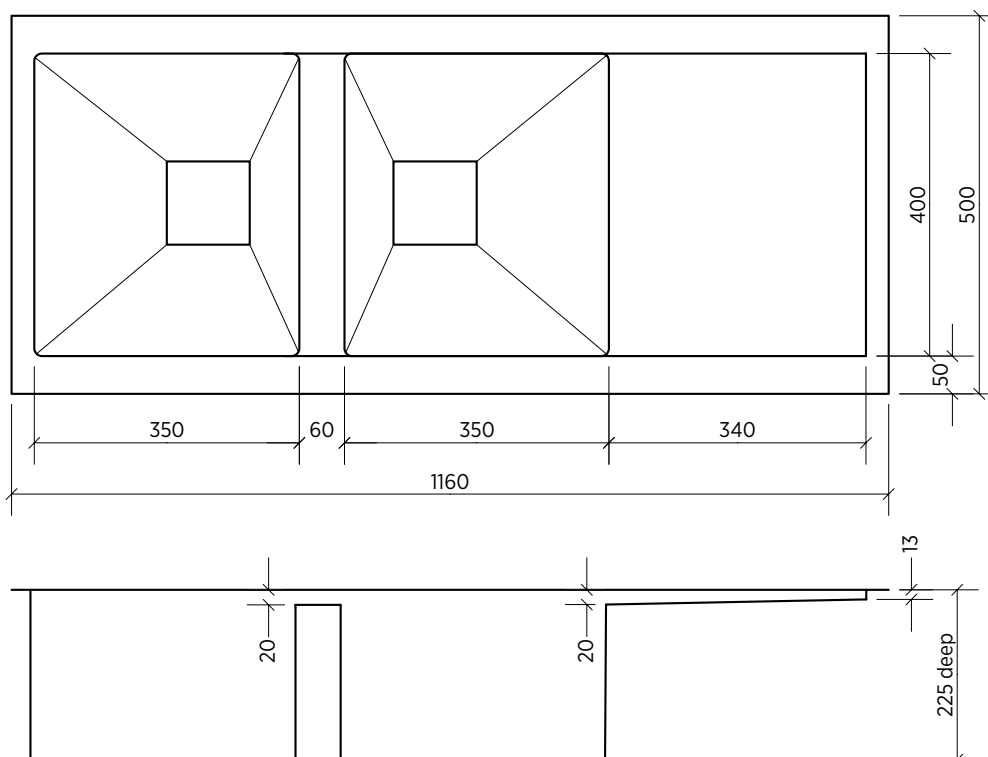


Sink art. Bold, minimalist aesthetic. Handcrafted excellence. Undermount or abovemount.

Create an atmosphere of design excellence with a Tetra handcrafted stainless steel sink. Inspired by a strong reductive aesthetic, the Tetra series perfectly complements minimalist and contemporary architectural design. Superior edge finish means that Tetra sinks are suitable for abovemount or undermount installation.

- minimalist bold design, refined industrial aesthetic
- beautiful lines and geometries
- highest quality individually handcrafted
- designed for abovemount or undermount installation, superior edge finish
- 1.2mm thick premium 304 grade stainless steel
- sleek brushed satin finish
- deep, large capacity bowls
- easy to clean corners, 10mm radii
- sound deadening
- distinctive square basket waste

SUMMARY	Two bowls, drainer on right or left		
ORDER CODE	191691	Tetra 1160, no taphole	old code: SKS-T1160-OT
	191693	Tetra 1160, 1 taphole, drainer on right	old code: SKS-T1160-RD
	191692	Tetra 1160, 1 taphole, drainer on left	old code: SKS-T1160-LD
WASTE	Includes square basket waste		
BOWL SIZE	Each bowl 350 x 400 mm, 225 mm deep		
CAPACITY	33 litres each bowl		
ACCESSORIES	A variety of accessories is available.		



SEIMA

bathroom | kitchen | laundry

seima.com.au

Please note

- All measurements are in millimetres.
- Always use the actual product to verify cutout.
- Use silicone sealant. DO NOT USE EPOXY TYPE ADHESIVES.
- Specifications may vary without notice as part of our continuous improvement practices.

tetra-1160-ds | v 2.1